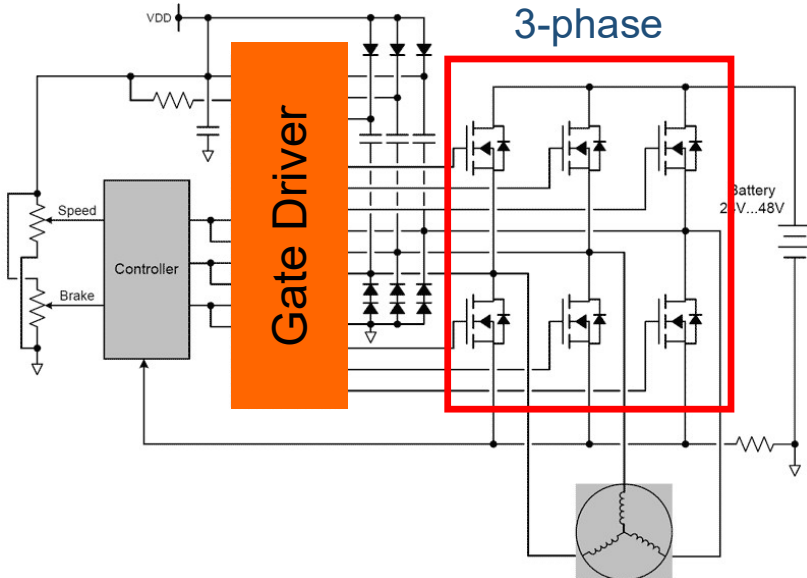


MOSFET Applications

Power Tools



Voltage(V)	Package	PN#	Rds(ON)(mΩ) Vgs@10V	Qg(nC)
30	PR PACK5X6	CEZ3R01A	1.9	14
		CEZ06C3	0.62	48
		CEZ3R02	2.3	49
		CEZ10C3	1	64
40	PR PACK5X6	CEZ2R04	2.4	17
		CEZ09C4	0.9	43
60	PR PACK5X6	CEZ18C6	1.85	27
		CEZ6R26L	2.2	39
		CEZ025R06L	2.5	24
85	TO-220	CEP120N085	5.3	74
100	TO-263	CEB260N10S	2.2	155
		CEB170N10S	3.7	88
		CEB190N10A	3.7	105
	PR PACK5X6	CEZ04R10	4.2	71
		CEZ06R10SL	7.2	22
		CEZ06R10SLA	7.5	23
	TO-220	CEP145N10S	4.5	71
		CEP1310SL	7.5	22
	TOLL	CEP1310S	8	38
		CEL45100	1.2	140
150	TO-263	CEB200N15	4.6	64
		CEB90N15	11.5	39
	PR PACK5X6	CEZ17R15	16	30
		CEZ19R15	19	28
	TO-220	CEP200N15	4.6	64
		CEP125N15	7.2	67